

Tools Required

Modellers Knife (with a fresh blade)
Cutting Mat
Modelling Glue (we recommend Deluxe Materials Rocket Card Glue)
Fine Tip Applicator
Low-tac Masking Tape
Clips / Clamps

Tips

Prior to starting your build, we recommend reading through the instructions to familiarise yourself with the build style of the kit.

We recommend painting any white edges as you remove the components from the sheet to improve the finished look. We advise watercolour paints for the best finish.

Each component is held in the sheet using score lines, indicated by a scissor symbol. To remove the component from the sheet, carefully run the tip of your modelling knife through the score line.

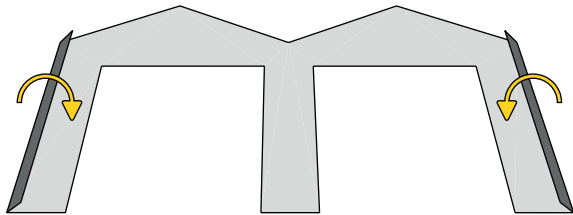
Remove each component as it is required to prevent losing or mixing it up with another component.

Ensure that glue is distributed evenly and not too close to the edge as it may ooze out when pressure is applied.

Use low-tac masking tape, clamps and weights to aid the assembly process.

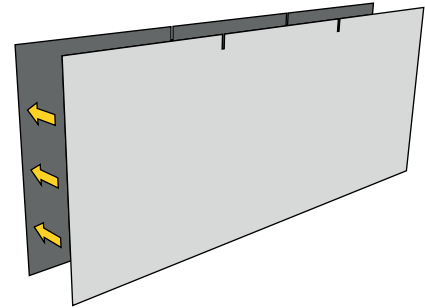
1. Detach Wall A and place it face down on your work surface. Next, fold the tabs (x2) over on themselves and glue. Repeat this step for Wall B.

Apply firm pressure until the glue is semi-cured to stop the tabs from lifting.



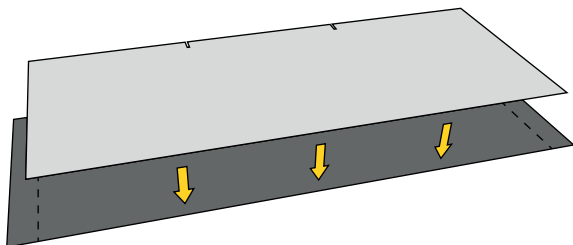
2. Detach Wall E and place it face down on your work surface. Then detach Wall F and glue it to Wall E. Repeat this step for Wall G and H. This will create two interior walls.

Each wall has two notches cut out. These should align once they're glued together.

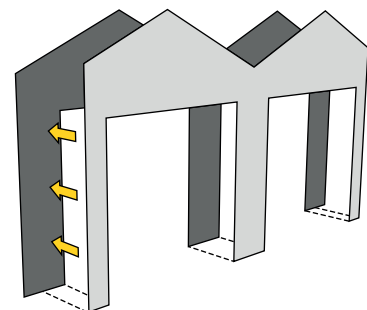


3. Detach Wall C and place it face down on your work surface. Take one of the interior walls created in step 2 and glue face up to Wall B. Repeat this step with wall D and the remaining Interior Wall.

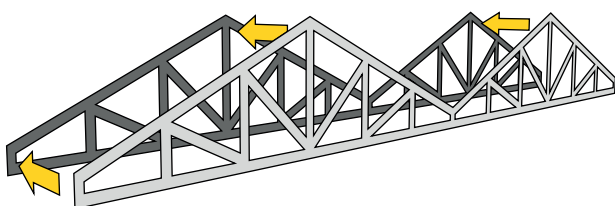
Ensure there is an even gap between the edges of the interior wall and the crease lines on Wall C.



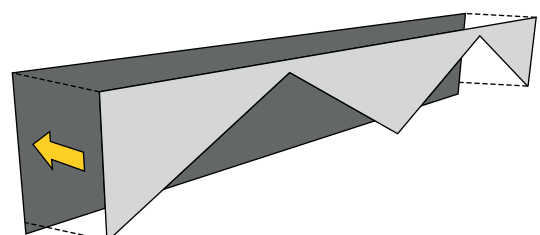
4. Detach Wall I and place it face down on your work surface. Then detach Wall J and glue to Wall I, taking care to align the doorways. Repeat this step for Wall K and L. This will create two more interior walls.



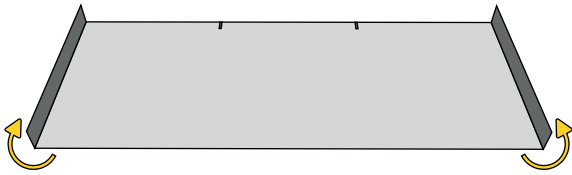
5. Detach the Trusses (x4). Glue two of the Trusses together (back to back), taking care to align the two components. Repeat this step for the two remaining Trusses.



6. Detach Fascia A and place it face down on your work surface. Then detach Fascia B and glue it face up to Fascia A, taking care to line up the two components. This will create the Front Fascia.

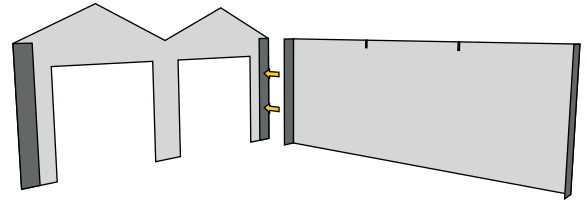


7. Take Wall C and fold the tabs (x2) inwards by 90 degrees (towards the white wall). Repeat this step for Wall D.

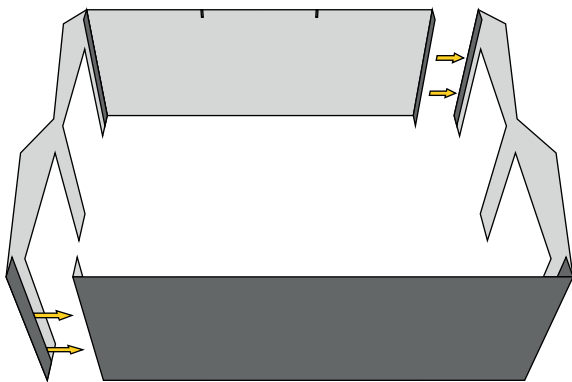


8. Take Wall C and glue the tab to Wall A. Repeat this step for Wall D and B.

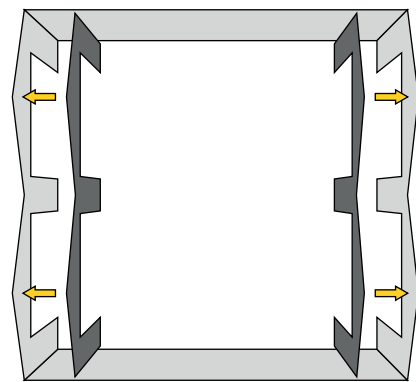
Ensure that the notches on the interior walls are at the top of the wall (as per the illustration below).



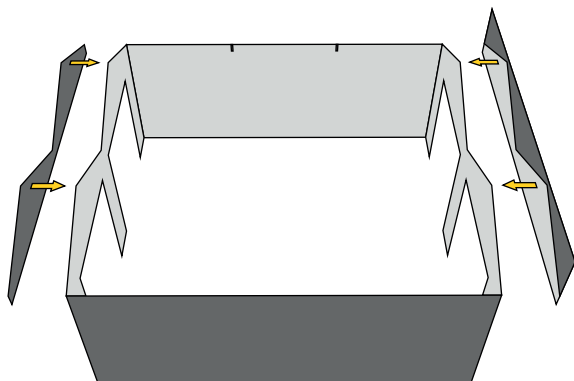
9. Take Wall C and glue the remaining tab to Wall B. Then take Wall D and glue the remaining tab to wall A.



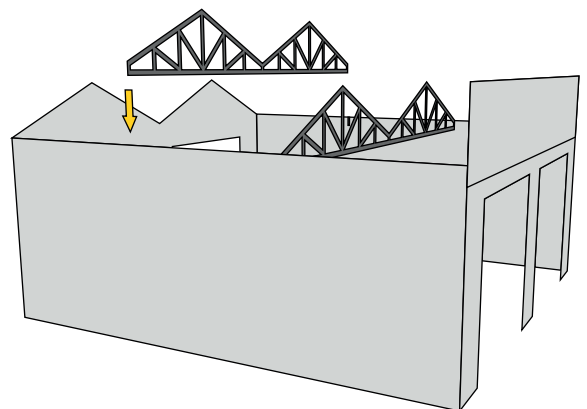
10. Glue one of the interior walls to the inside of Wall A (print side facing outwards). Then glue the remaining interior wall to the inside of Wall B.



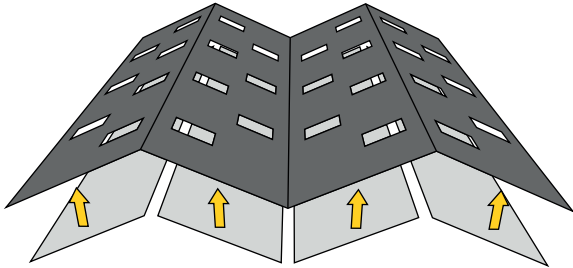
11. Glue the Front Fascia to one end of the building. Then detach Rear Fascia and glue to the other end of the building. See illustration below for guidance.



12. Position the Trusses in the notches located at the top of the interior walls and glue.

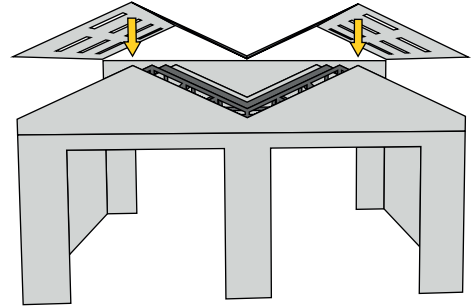


13. Detach the Roof. Then fold along the crease lines to create the double-peak style. Next take the semi-transparent sheet, cut it into four equal strips and glue to the underside of the roof, ensuring you cover all of the window openings.



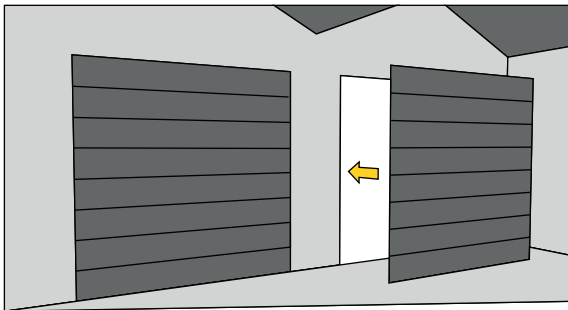
14. Carefully glue the roof to the building, ensuring that even pressure is applied across the entire part.

We recommend using a low-tac masking tape to hold the roof down whilst it cures.

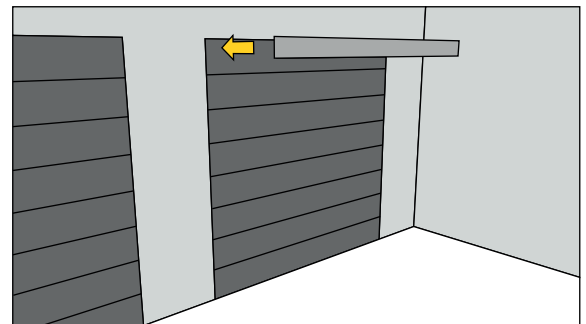


15. Detach four doors (we've supplied two different styles). Then glue to the inside of the building, over the door openings.

You can trim the doors to any desired length to achieve an 'open' look.



16. Detach the Shutter Covers and glue over the doors (as per the illustration below).



You have now completed the bus depot kit and we hope you enjoyed and successfully built the kit. To view our other card kits and more products, visit www.atdmodels.co.uk and find your local stockist.

We'd love to see photos of your finished mode(s)! Please send them to enquiries@atdmodels.co.uk for a chance to be featured on our social media pages.