



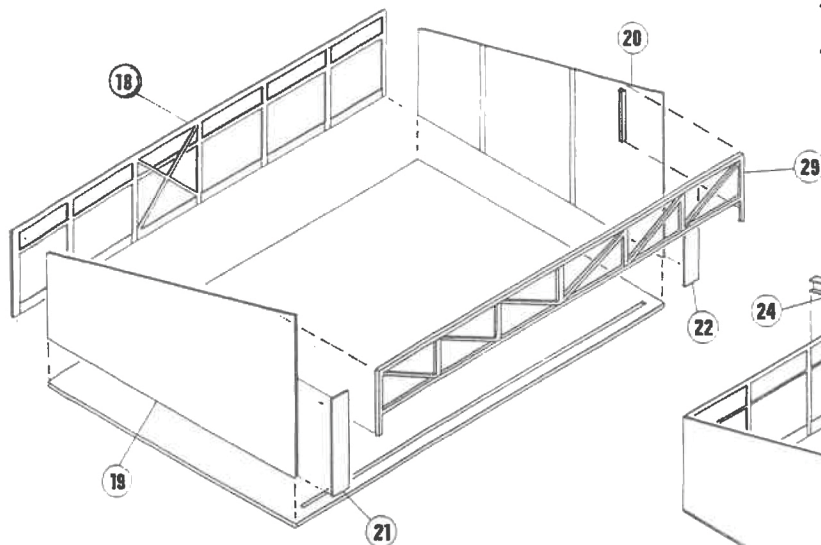
GAUGEMASTER Structures

GM445 Fordhampton Hanger

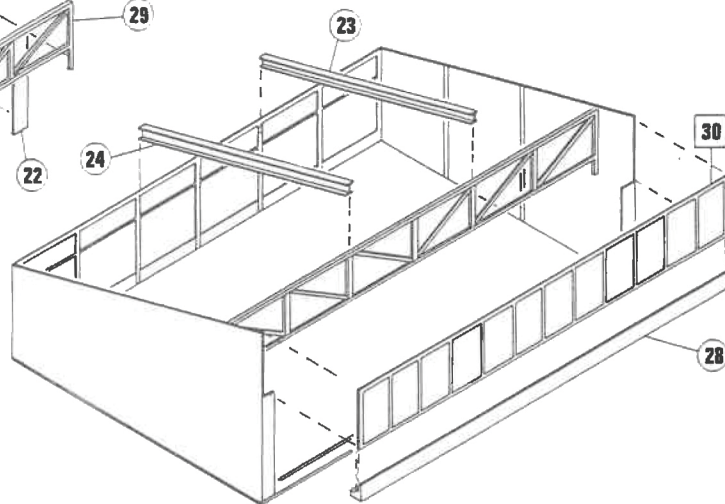
Before beginning to assemble this kit, familiarise yourself with the parts and instructions.

It's always best to have a 'dry run' with parts to ensure a good fit before they are glued.

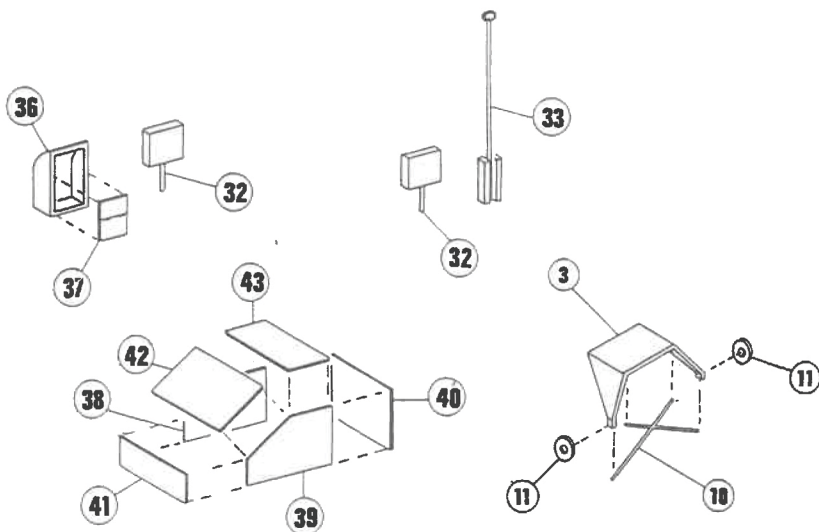
1



2



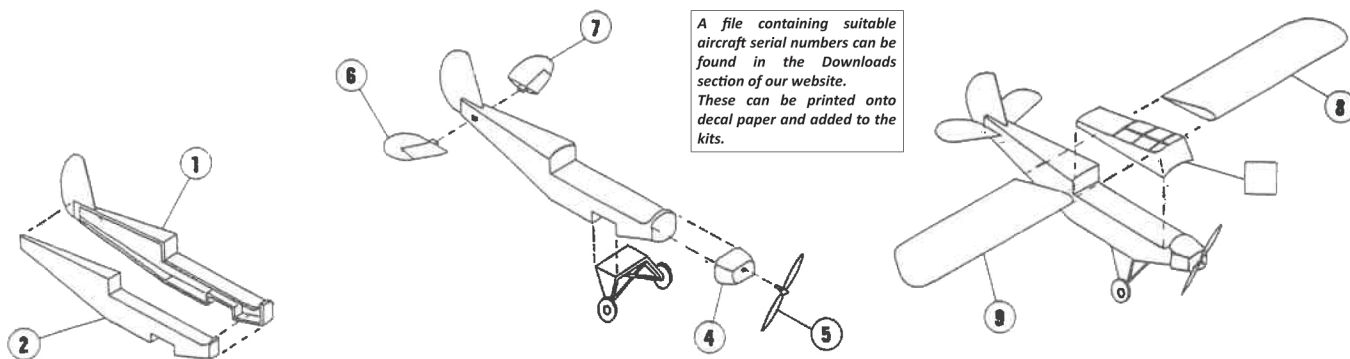
3



We recommend using Faller **FA170492** Expert Plastic Glue to construct this model.

Other useful tools for building plastic kits can be found in the **Gaugemaster Tools Range**.

4



A file containing suitable aircraft serial numbers can be found in the Downloads section of our website. These can be printed onto decal paper and added to the kits.

Safety Recommendations

- This product is not a toy and is intended for modelling purposes only. As such, it is not suitable for children under 14 years of age.
- Carefully read these instructions before use.
- Pay attention to the safety recommendations and warnings provided.
- Always retain the instructions for later reference.
- Due to the design, there may be tips, sharp edges, or small parts that are necessary for the construction of the kit.
- Assembly may require tools such as a sharp modelling knife, sharp scissors, and specialised adhesives. Please ensure that these are used safely and read the guidance provided with such items before use.
- Always keep this kit out of reach of children, unless they are being supervised by an adult.